



Model PSC623 Pressure Transducer for Low pressure Industry and General Purpose Industrial Applications

PSC623 Low Pressure Transducer incorporates a piezoresistive oil filled sensor capsule in a low profile form factor that provide media isolation and robust construction. The structure is well suited for use in harsh media environments and chemical applications as the media is in contact with the 316SS diaphragm. ASIC digital compensation and temperature correction provide high accuracy and a wide operating temperature range. Outputs available: 0.5-4.5 VDC Ratiometric.

The sensor is available in Gauge reference configuration. All wetted part are 316 stainless steel.



- Gauge Pressures
- ASIC Temperature Compensated
- Recommended load resistance: >10,000 ohms
- Wetted Parts: 316 stainless steel
- Process Fitting: see column Z
- Electrical Connection: Packard connector

Sample Applications:

- Air pump & Compressor
- Test and Measurement Equipment
- Process Automation & Control
- General and Industrial low pressure measurements
- Water / waste water

PSC623 Ordering Model NO.: PSC623-X-Y-Z-X		
X	Y	Z
Output Type	Pressure Range	Port Type
B = 0.5~4.5V (Ratiometric)	1 = 0 to 100 mBar (G) / 0 to 1.45Psi(G) 2 = 0 to 200 mBar (G) / 0 to 2.9Psi(G) 3 = 0 to 400 mBar (G) / 0 to 5.8Psi(G) 4 = 0 to 1 Bar (G) / 0 to 14.5Psi(G)	1 = 1/8-27 NPT 2 = 1/4-18 NPT 3 = DIN3852-A-G1/4 4 = DIN3852-E-G1/4 5 = DIN3852-A-M10*1.0 6 = DIN3852-A-M12*1.5 7 = 7/16-20 UNF X = Special

Electrical data	
Supply Voltage	4.75 ~ 5.25 VDC
Output	0.5 ~ 4.5 VDC (Ratiometric)
Supply Current	Approx. 3 mA

Mechanical Configuration	
Media	Compatible With 316 stainless steel
Housing	304 stainless steel
Wetted Material	316 stainless steel
Ingress Rating	IP67

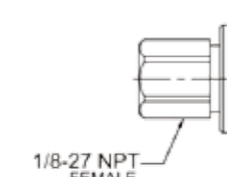
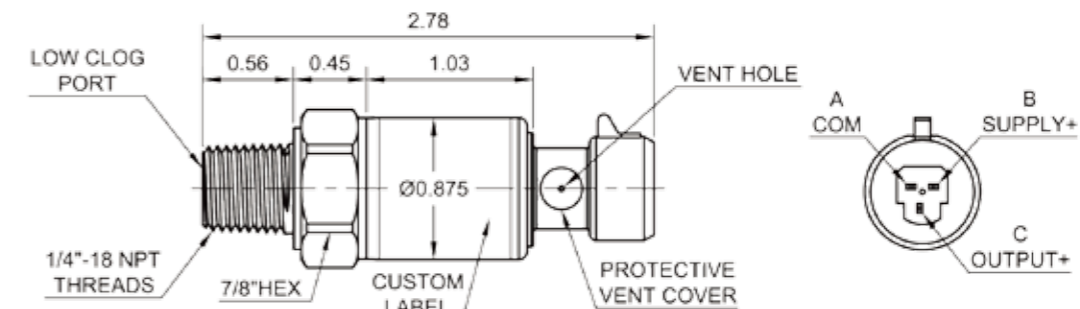


Model PSC623 Pressure Transducer for Low pressure Industry and General Purpose Industrial Applications

Performance (specified @ 25 °C)	
Accuracy (Best fit straight line)	± 0.4% BFSL
Error	± 3.0% FS TEB
Zero Offset Tolerance	± 2%
Span Offset Tolerance	± 2%
Stability (typical)	< ±0.25% full scale per year
Compensated Temperature Range	0°C ~ 70°C
Operating Temperature Range	-10°C ~ 85°C
Burst Pressure	8 X Full Scale
Proof Pressure	3 X Full Scale
Pressure Cycles	4 million full scale cycles



Structure reference (Unit: Inch)



MATING CONNECTOR		
CONNECTOR NUMBER	12065287	PACKARD ELECTRIC METRI-PACK 150
TERMINAL NUMBER	12089290	PACKARD ELECTRIC METRI-PACK 150

